



MINI DIODE LED UVC
LED LIGHTING LAMP | LAST GENERATION TECHNOLOGY
WWW.SERVIHELP.NET

OBJETIVE

Mini diode led lighting lamp with UV light with novel diode led technology. It helps to disinfect and kill viruses, bacteria, and fungi. Built to automatically work with mobile phones. The mini diode led light helps to slow down the proliferation of microorganisms in general

NORMATIVE

- It has several international certifications that guarantee high quality and efficiency.
- Harmful to humans if exposed directly to the body or eyes. Safe to radiate inanimate objects.

GARANTEE

One year on manufacturing defects up to 5,000 hours



PRODUCT: DIODE LED LIGHTING LAMP TO HELP DISINFECTING "MINI KILLER UVC"

We have everything you want



- Diode that illuminates with a low consumption of energy and helps to minimize odors and the use of harmful chemicals commonly used for disinfecting.
- Can be safely used on heavily manipulated items such as masks, door handles, tools, keyboards, phones, food utensils, steering wheel, elevator keys, banknotes, papers, groceries, and any other inanimate objects.

CHARACTERISTICS AND BENEFITS

- Very small and portable, it connects to the cell phone without any software (Plug and Play).
- Exceptionally low cost compared to the benefits that it provides, minimizing the use of alcohol and other expensive chemicals.
- Led light illuminates immediately and helps to disinfect within 5 seconds.
- Minimizes the use of expensive technological equipment.
- The help that lends to the mini Diode led light reaches up to a 98% of effectiveness against viruses, bacteria and fungi.



SALES@SERVIHELP.NET



[SERVIHELP_EC](https://twitter.com/SERVIHELP_EC)



+1 630 205 6855



WWW.SERVIHELP.NET



MINI DIODE LED UVC
LED LIGHTING LAMP | LAST GENERATION TECHNOLOGY
WWW.SERVIHELP.NET

MINI DIODE LED UVC DEVICE



ANALYSIS & TEST RESULTS

广微测
Guangwei Test

MA 2018-010863

CVAS

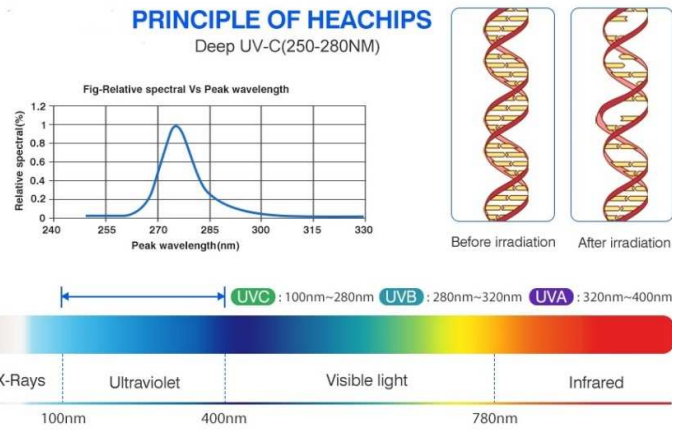
广东省微生物分析检测中心
GUANGDONG PROVINCE CENTER OF MICROBIOLOGICAL ANALYSIS AND TESTING

检测日期: 2018年05月04日
检测地点: 广东省微生物分析检测中心
检测项目: 紫外线杀菌灯辐照度检测
检测标准: GB 29130-2012

序号 No.	样品名称 Sample Name	样品数量 Sample Quantity	检测结果 Test Result	备注 Remarks
1	紫外线杀菌灯	1	合格	
2	紫外线杀菌灯	1	合格	
3	紫外线杀菌灯	1	合格	
4	紫外线杀菌灯	1	合格	
5	紫外线杀菌灯	1	合格	
6	紫外线杀菌灯	1	合格	
7	紫外线杀菌灯	1	合格	
8	紫外线杀菌灯	1	合格	
9	紫外线杀菌灯	1	合格	
10	紫外线杀菌灯	1	合格	

TECHNOLOGY PRINCIPLE

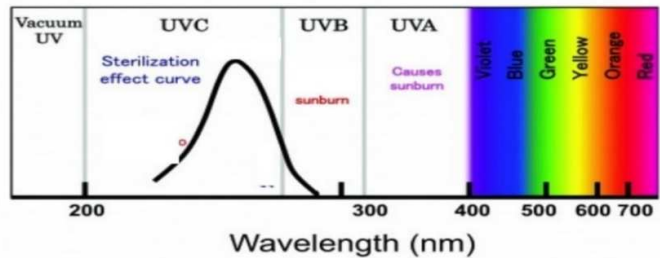
- Principle of illumination with UVC chip for disinfection.



- Instantaneous action of short-wavelength UVC rays.

UVC LIGHT: EFFECTIVENESS

- UVC light 240 ~ 280 nm
Caracteristica de luz UVC:



- Short wavelength of deep and immediate action



SALES@SERVIHELP.NET



SERVIHELP_EC



+1 630 205 6855

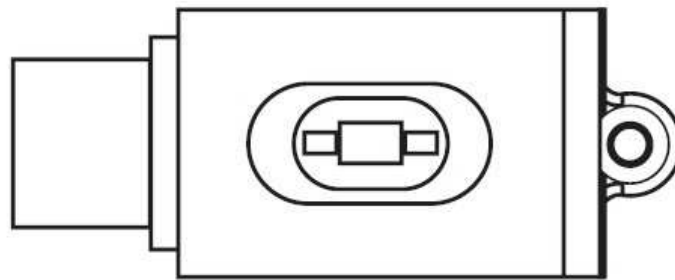


WWW.SERVIHELP.NET

MINI DIODE LED



Product specification



Please read this manual carefully before use and keep it properly for future reference



SALES@SERVIHELP.NET



[SERVIHELP_EC](https://twitter.com/SERVIHELP_EC)



+1 630 205 6855



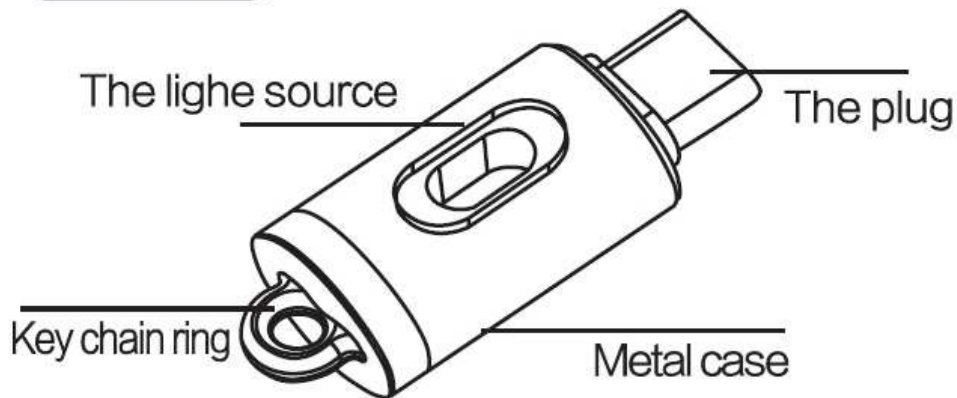
WWW.SERVIHELP.NET

Thank you for purchasing this product!

Product description

Small in size, wide in use, the use of high-precision UVC+UVA smart chip, 5-10 seconds that the highest rate of 99.99% sterilization, is a physical, environmental protection, safe surface sterilization, escherichia coli, candida albicans, staphylococcus aureus and other common bacteria effective killing, to protect your home, travel supplies from bacteria.

An illustrative



Usage:

- 1 travel on, business, hotel items
- 2 daily household items
- 3 Digital products, such as mobile phones, tablets and so on
- 4 Toothbrush, chopsticks, teacup, pens, ear studs, baby pacifiers, calculators, keyboards, etc



SALES@SERVIHELP.NET



SERVIHELP_EC



+1 630 205 6855



WWW.SERVIHELP.NET

Instruction

Use a suitable mobile phone (Apple Lightning interface or Android Type C interface), keep the phone bright, connect the phone and the product, plug and play, keep the irradiation height 5mm, scan slowly, and each part can reach 99% sterilization within 5 seconds. The best effect of the rate, the larger the irradiation distance, the longer the unit irradiation time is required, and the recommended distance is not more than 20mm.

Application shows that

1. Conduct rapid sterilization on beauty instruments, beauty makeup tools, solid or powder cosmetics, etc., extend their service life, and reduce the damage caused to the product and human body by the breeding of fine bacteria.
2. On business trips and outdoor activities, carry out quick bactericide on portable toiletries, tableware, remote appliances, keyboards, toilet seats and other portable toilet seats in public places to protect personal health.
3. For mobile phones, watches, jewelry, etc. with high frequency of daily use, fast surface sterilization without residue and damage can be realized to reduce the bacterial damage to human body.

Attention:

1. Do not use or store the product in the following places: near fireworks, water edge, strong electromagnetic places, etc.
2. Do not illuminate the eyes.
3. Do not irradiate the skin for a long time (no more than 10 seconds in the same position).
4. Please do not start the sterilizer for a long time. It is recommended to work continuously for no more than 10 minutes to avoid affecting the product life.
5. Do not put the product in the cold zone, the temperature is lower than -30 degrees, the product life is affected.
6. Keep out of the reach of children. Children under the age of 6 are not allowed to use the product alone.
7. Do not wipe the product with corrosive chemicals.
8. Non-professionals are not allowed to disassemble the product.

Cleaning and maintenance

1. Wipe the glass lens before use and keep it dry and clean.
2. If not used for a long time, please dry the surface of the product and store it in a cool place.



SALES@SERVIHELP.NET



[SERVIHELP_EC](https://twitter.com/SERVIHELP_EC)



+1 630 205 6855



WWW.SERVIHELP.NET

Technical parameters



Product name	UVC sanitizer disinfection lamp	Power	0.4W
Input voltage dc	DC3.7V/5V	The net weight	4g
Output voltage	5V	Gross weight	22g

The warranty

- 1 Product from the date of purchase, shelf life for – one year
- 2 Product warranty scope refers to the product in the normal use of the problem.
- 3 In the warranty period and warranty scope, free maintenance

Warranty exception:

Under one of the following circumstances, even within the warranty period, it can not be treated as warranty, but it can be repaired by charging.

1. Damage caused by failure to use, maintain and keep the product in accordance with the requirements of the product manual;
2. Damage caused by improper operation, abnormal power supply, damage (such as: falling, etc.);
3. Failure and damage caused by non-product working environment (such as: environment temperature is too high, too low, too wet, too high altitude, abnormal physical pressure, electromagnetic interference, power supply stability, static interference, etc.)
4. Failure or damage caused by installation, repair, change, addition or removal by non authorized organizations and personnel of the company.
5. Fault or damage caused by accident or human reason (including operation error, liquid intake, scratch, handling, bump, improper plugging, etc.);
6. Damage caused by force majeure (such as lightning, earthquake, fire, flood, etc.)

This warranty is only applicable to the occasions when consumers purchase and use it for the purpose of living consumption, not for business use.

Disclaimer:

Users of the product are at their own risk. No liability or liability for any physical or non-physical injury caused directly or indirectly by the use of the product. In addition, we reserve the right to modify this note and change its contents at any time. And there is no obligation to notify any individual of such modifications or changes



SALES@SERVIHELP.NET



SERVIHELP_EC



+1 630 205 6855



WWW.SERVIHELP.NET